



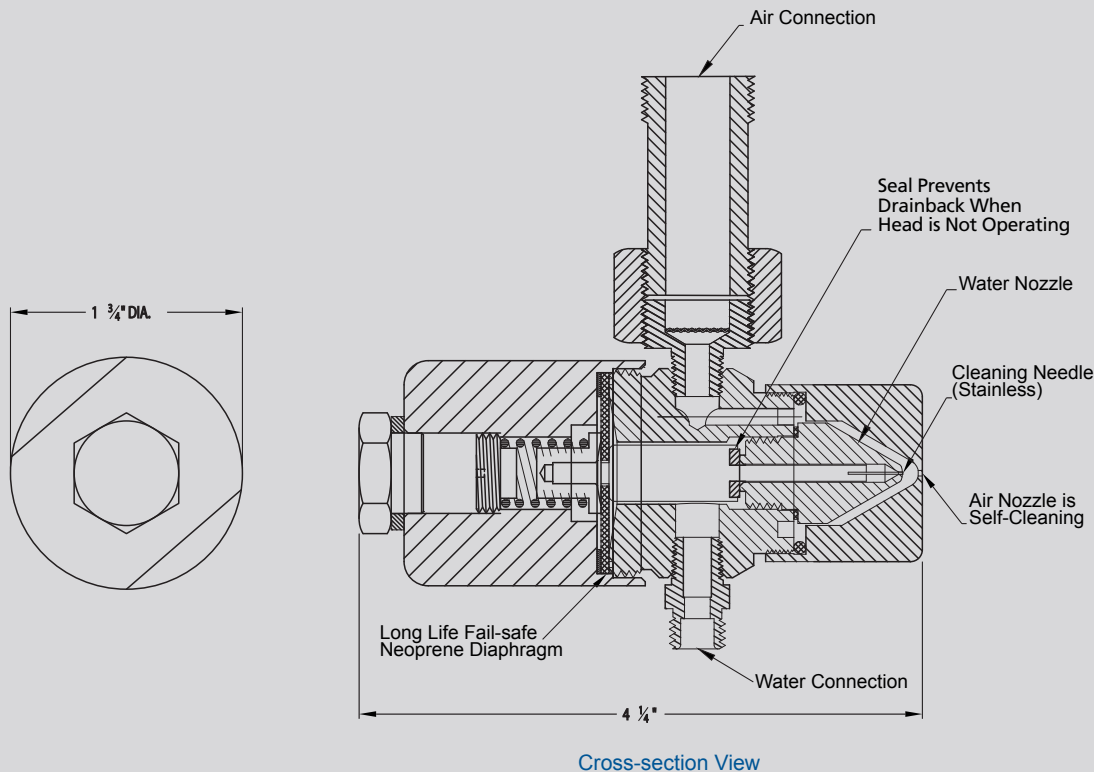
Replacement Atomizing Heads

Air/Water Humidification Systems

PRODUCT DATA SHEET

General Specifications:

Part Number	Capacity	Air Pressure	Air Volume Required	Water Pressure	Air Connection	Water Connection	Construction
AH-940-1-6	6 lbs/hr	30 PSI	0.72 CFM	34.5 PSI	1/4" NPT	1/4" Compression	Brass
AH-940-1-8	8 lbs/hr	30 PSI	0.96 CFM	38 PSI	1/4" NPT	1/4" Compression	Brass
AH-940-1-10	10 lbs/hr	30 PSI	1.20 CFM	33 PSI	1/4" NPT	1/4" Compression	Brass
AH-940-1-12	12 lbs/hr	30 PSI	1.44 CFM	34.5 PSI	1/4" NPT	1/4" Compression	Brass
AH-940-1-15	15 lbs/hr	30 PSI	1.80 CFM	37 PSI	1/4" NPT	1/4" Compression	Brass
AH-940-2-6	6 lbs/hr	30 PSI	0.72 CFM	34.5 PSI	1/4" NPT	1/4" Compression	304 Stainless
AH-940-2-8	8 lbs/hr	30 PSI	0.96 CFM	38 PSI	1/4" NPT	1/4" Compression	304 Stainless
AH-940-2-10	10 lbs/hr	30 PSI	1.20 CFM	33 PSI	1/4" NPT	1/4" Compression	304 Stainless
AH-940-2-12	12 lbs/hr	30 PSI	1.44 CFM	34.5 PSI	1/4" NPT	1/4" Compression	304 Stainless
AH-940-2-15	15 lbs/hr	30 PSI	1.80 CFM	37 PSI	1/4" NPT	1/4" Compression	304 Stainless



© 2015 HERRMIDIFIER® - Engineered Humidification Solutions. HERRMIDIFIER® is a registered trademark of Air System Components, Inc. Air System Components, Inc. is a subsidiary of Johnson Controls Inc. Hermidifier® reserves the right to revise or modify products and/or specifications without notice. All product specifications reflect available information at the printing of this brochure.

HERRMIDIFIER® | 101 McNeill Road | Sanford, NC 27330 | Phone: 800-884-0002 | Fax: 800-458-2379
 www.Herrmidifier-HVAC.com | Email: cs@Herrmidifier-HVAC.com