

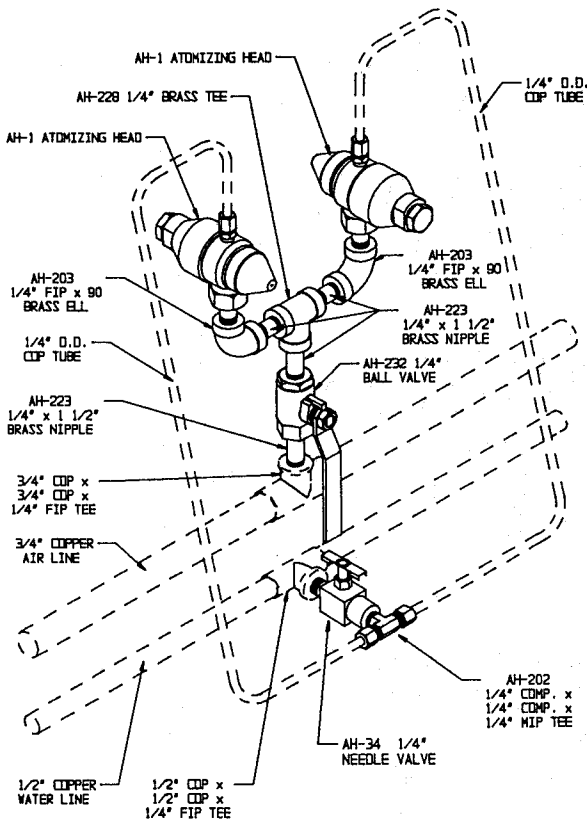
SYSTEM LAYOUT and INSTALLATION

Be sure all parts are used in the system in their proper order and direction of flow. **DO NOT** leave out any parts because they have a different function in the operation of the system.

Layout of Head Assemblies

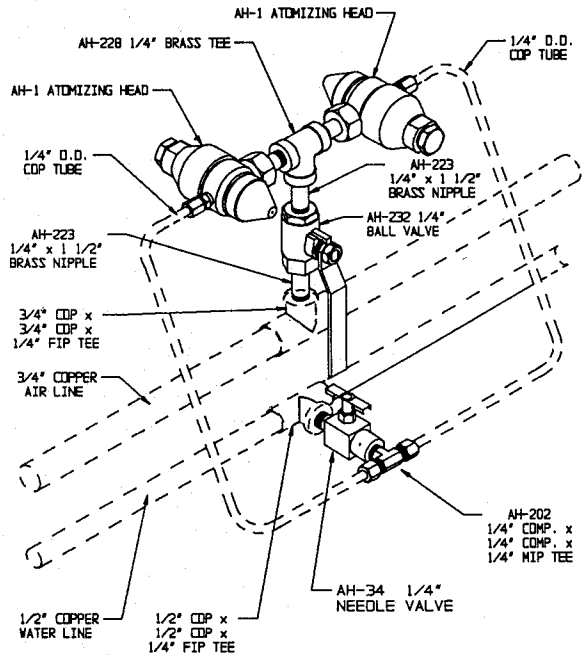
1. Be sure all fittings are in their proper place in all head assemblies (See Drawings B-13, A-33, and A-17). do not add parts to these assemblies without permission from Herrmidifier. Head assemblies for systems using demineralized water supplies will have the same components as shown (on this page) however their materials may be different (ie: PVC or stainless steel).

B-13 HEAD ASSEMBLY



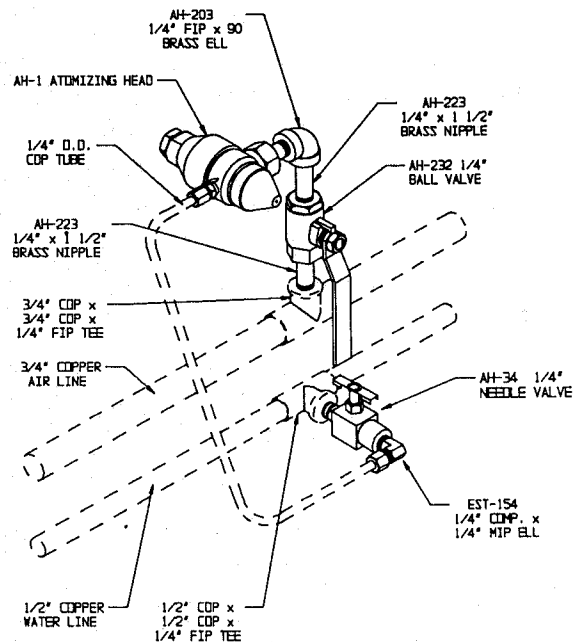
NOTE: ALL PARTS SHOWN WITH SOLID LINES ARE SUPPLIED LOOSE BY HERRMIDIFIER FOR FIELD ASSEMBLY. ALL OTHER PARTS SHOWN WITH DASHED LINES ARE SUPPLIED BY OTHER.

A-17 HEAD ASSEMBLY



NOTE: ALL PARTS SHOWN WITH SOLID LINES ARE SUPPLIED LOOSE BY HERRMIDIFIER FOR FIELD ASSEMBLY. ALL OTHER PARTS SHOWN WITH DASHED LINES ARE SUPPLIED BY OTHER.

A-33 HEAD ASSEMBLY



NOTE: ALL PARTS SHOWN WITH SOLID LINES ARE SUPPLIED LOOSE BY HERRMIDIFIER FOR FIELD ASSEMBLY. ALL OTHER PARTS SHOWN WITH DASHED LINES ARE SUPPLIED BY OTHER.