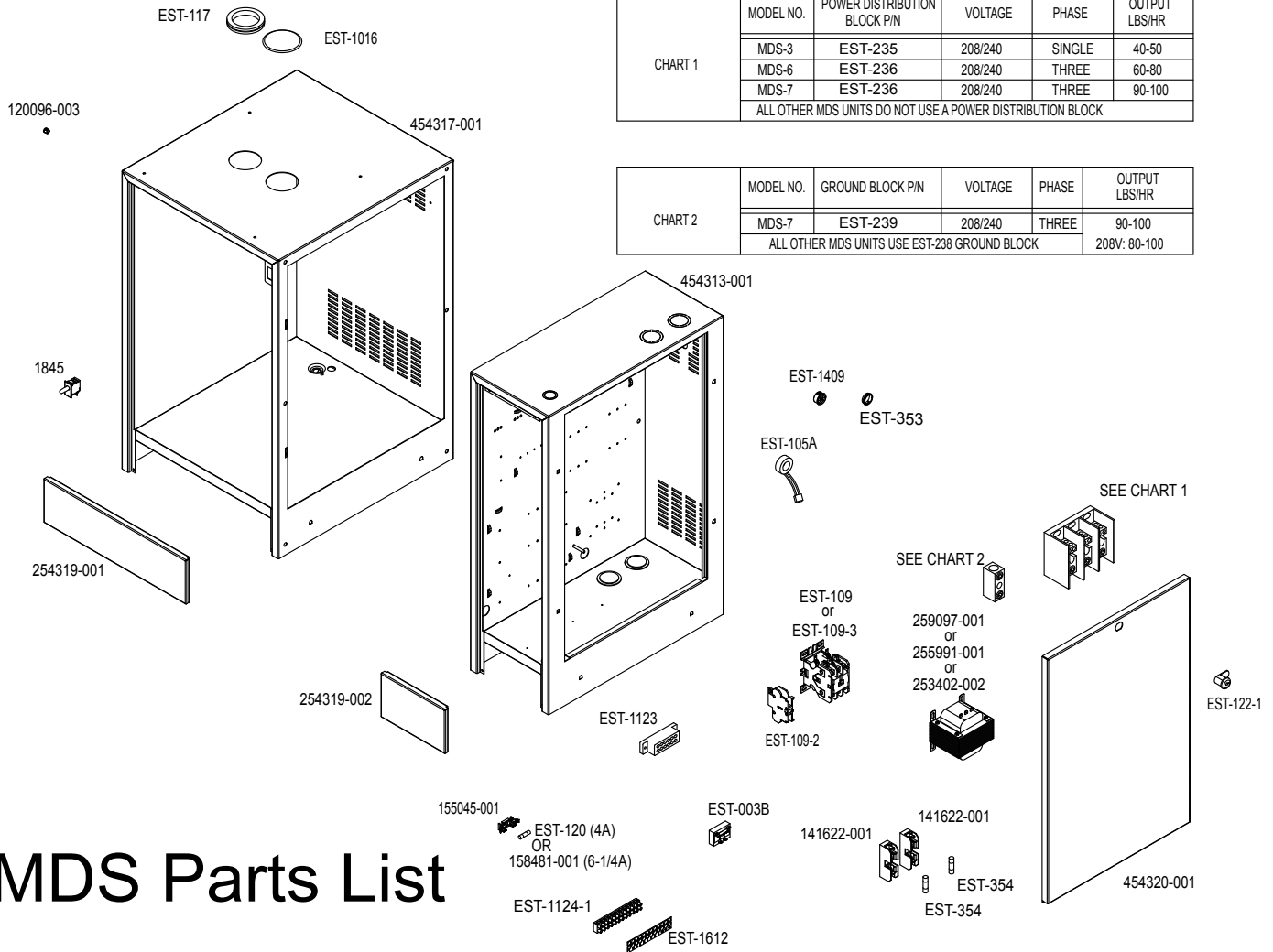


Installation, Operation, & Maintenance Manual



MDS Parts List

| HERRMIDIFIER PART NO. | DESCRIPTION |
|-----------------------|--------------------------------------|
| EST-003B | Cylinder Full Interface |
| EST-076 | Lock Washer, Stainless Steel |
| EST-105A | Toroid Transformer |
| EST-109 | Contact, 3 Pole, 40 Amp |
| EST-109-2 | Auxiliary Contact |
| EST-109-3 | Contact, 3 Pole, 65 Amp |
| EST-117 | Grommet, Steam Hose |
| EST-120 | Control Fuse, 4 Amp |
| EST-122-1 | Cabinet Lock with Keys |
| EST-165 | SS Hose Clamp, Steam Hose |
| EST-171 | Steam Hose |
| EST-235 | Power Distribution Block, 175A, 1PH |
| EST-236 | Power Distribution Block, 175A, 3 PH |
| EST-238 | Ground Block |
| EST-239 | Ground Block |
| EST-353 | Shorty Bushing, 7/8" |
| EST-354 | High Voltage Fuse, 600 V |
| EST-529C | Quick Connect, Cyl Full Electrode |
| EST-1016 | Hole Plug, Steam Outlet, 2 1/2" |
| EST-1060-3 | "O" Ring |
| EST-1080 | Electrode Knob |
| EST-1092 | Drain Kit Assembly |
| EST-1123 | Terminal Block, 12 Position |
| EST-1124-1 | Terminal Strip, 4 Amp |
| EST-1127 | Spacer, Nylon #6 |
| EST-1136 | Washer, Nylon #6 |

| HERRMIDIFIER PART NO. | DESCRIPTION |
|-----------------------|---|
| EST-1168 | Ribbon Cable Assembly |
| EST-1225-KIT | Drain Reservoir Kit |
| EST-1250 | Microprocessor Board, Provide Specific Model # and Control Arrangement. |
| EST-1409 | Universal Bushing |
| EST-1612 | Marking Strip for EST-1124-1 |
| FV-11 | Sleeve, Brass, 1/4" Compression |
| FV-12 | Brass Compression Nut, 1/4" |
| GT-116 | Celcon Compression Nut, 1/4" |
| GT-118 | Metering Fill Solenoid |
| GT-153 | Strainer |
| 1845 | Door Interlock Switch |
| 4060 | 1/4" Comp. X 1/4" Comp. Brass Bulkhead Union |
| 120096-003 | Hole Plug |
| 121078-011 | Sealing Washer |
| 121800-001 | KEP Nut, 4-40 |
| 141622-001 | High Voltage Fuse Holder |
| 155045-001 | Fuse Holder |
| 158481-001 | Control Fuse, 6-1/4 Amp |
| 253402-002 | Control Trans, 208/230/240/460/480V Primary, 150VA |
| 255991-001 | Control Trans, 208/230/380/460/600V Primary, 96VA |
| 259097-001 | Control Transformer, 208/230/460V Primary, 100VA |
| 265171-001 | LCD Display |
| 354415-001 | Fill Sub-assembly |
| 354537-001 | Drain Sub-assembly |